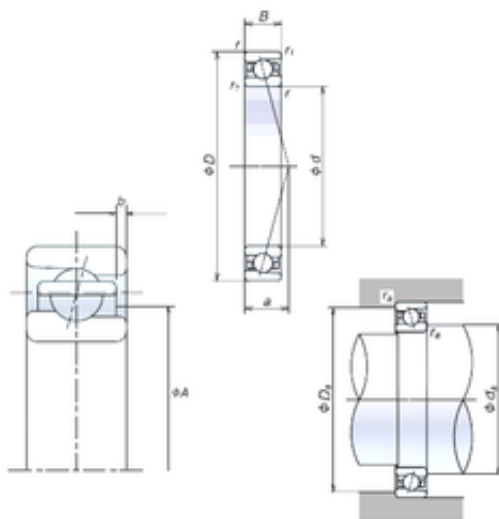




Rolamento CBF CORP.

100 mm x 140 mm x 20 mm NSK 100BNR19H
 Rolamentos de esferas de contacto angular para
 motores e tornos



Bearing No. 100BNR19H

Size	100x140x20 mm
Bore Diameter	100 mm
Outer Diameter	140 mm
Width	20 mm
d	100 mm
D	140 mm
B	20 mm
C	20 mm
Angle (°)	18 °
a	29,5 mm
b	0,7 mm
r min.	1,1 mm
r1 min.	0,6 mm
A	113,5 mm
da min.	107 mm
Da max.	133 mm
ra max.	1 mm
Weight	0,673 Kg
Basic dynamic load rating (C)	38 kN
Basic static load rating (C0)	35 kN
(Grease) Lubrication Speed	15000 r/min

100BNR19H Bearing 2D drawings and 3D CAD models