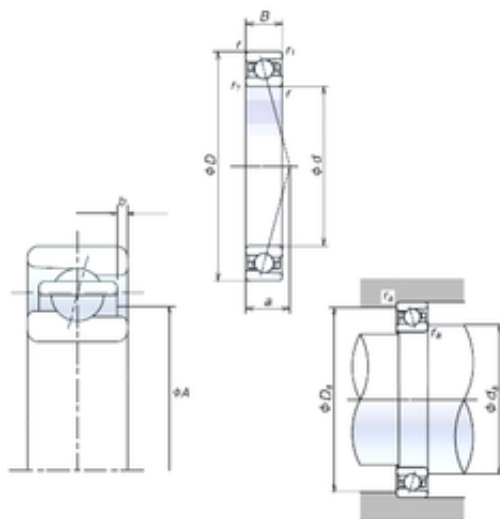




Rolamento CBF CORP.

110 mm x 150 mm x 20 mm NSK 110BNR19H
 Rolamentos de esferas de contacto angular para
 motores e tornos



Bearing No. 110BNR19H

Size	110x150x20 mm
Bore Diameter	110 mm
Outer Diameter	150 mm
Width	20 mm
d	110 mm
D	150 mm
B	20 mm
C	20 mm
Angle (°)	18 °
a	31,1 mm
b	0,7 mm
r min.	1,1 mm
r1 min.	0,6 mm
A	124 mm
da min.	117 mm
Da max.	143 mm
ra max.	1 mm
Weight	0,733 Kg
Basic dynamic load rating (C)	39 kN
Basic static load rating (C0)	38 kN
(Grease) Lubrication Speed	13900 r/min

110BNR19H Bearing 2D drawings and 3D CAD models