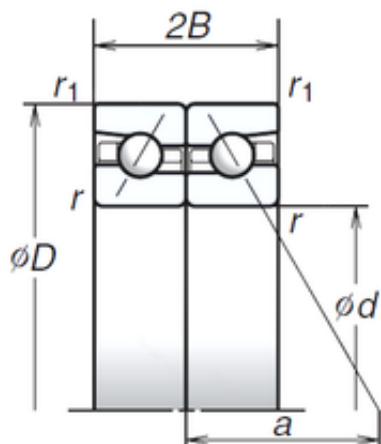




Rolamento CBF CORP.

140 mm x 210 mm x 31,5 mm NSK 140BTR10S
 Rolamentos de esferas de contacto angular para
 motores e tornos



Bearing No. 140BTR10S

Size	140x210x31.5 mm
Bore Diameter	140 mm
Outer Diameter	210 mm
Width	31,5 mm
d	140 mm
D	210 mm
B	31,5 mm
C	31,5 mm
Angle (°)	30 °
a	89,1 mm
r min.	2 mm
r1 min.	1 mm
2B	63 mm
Weight	3,558 Kg
Basic dynamic load rating (C)	93 kN
Basic static load rating (C0)	227 kN
(Grease) Lubrication Speed	3 800 r/min
(Oil) Lubrication Speed	4 900 r/min

140BTR10S Bearing 2D drawings and 3D CAD models