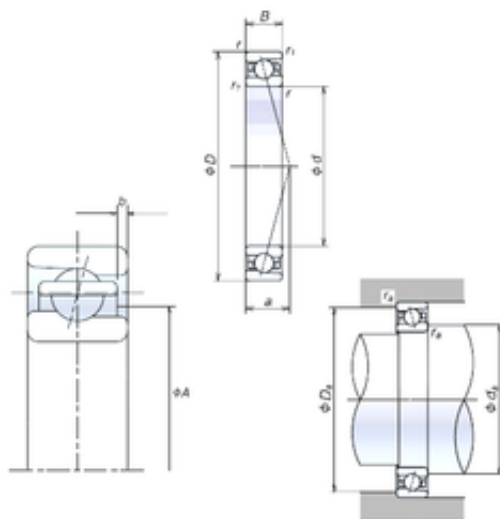




## Rolamento CBF CORP.

55 mm x 80 mm x 13 mm NSK 55BER19H  
 Rolamentos de esferas de contacto angular para  
 motores e tornos



Bearing No. 55BER19H

Size	55x80x13 mm
Bore Diameter	55 mm
Outer Diameter	80 mm
Width	13 mm
d	55 mm
D	80 mm
B	13 mm
C	13 mm
Angle ( ° )	25 °
a	22,2 mm
b	0,5 mm
r min.	1 mm
r1 min.	0,6 mm
A	63,5 mm
da min.	61 mm
Da max.	74 mm
ra max.	1 mm
Weight	0,158 Kg
Basic dynamic load rating (C)	13,8 kN
Basic static load rating (C0)	10,9 kN
(Grease) Lubrication Speed	23800 r/min

55BER19H Bearing 2D drawings and 3D CAD models