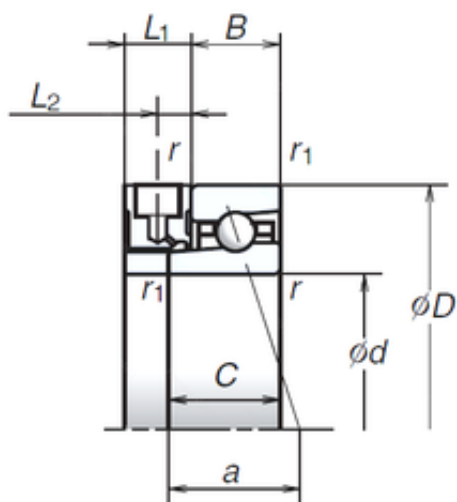




## Rolamento CBF CORP.



65 mm x 90 mm x 13 mm NSK 65BNR19XE  
Rolamentos de esferas de contacto angular para  
motores e tornos

Bearing No. 65BNR19XE

Size	65x90x13 mm
Bore Diameter	65 mm
Outer Diameter	90 mm
Width	13 mm
d	65 mm
D	90 mm
B	13 mm
C	18 mm
L2	7,5 mm
Angle ( )	18 °
a	24,1 mm
r min.	1 mm
r1 min.	0,6 mm
L1	15 mm
Weight	0,209 Kg
Basic dynamic load rating (C)	15,2 kN
Basic static load rating (C0)	13,2 kN
(Grease) Lubrication Speed	42 600 r/min

65BNR19XE Bearing 2D drawings and 3D CAD models