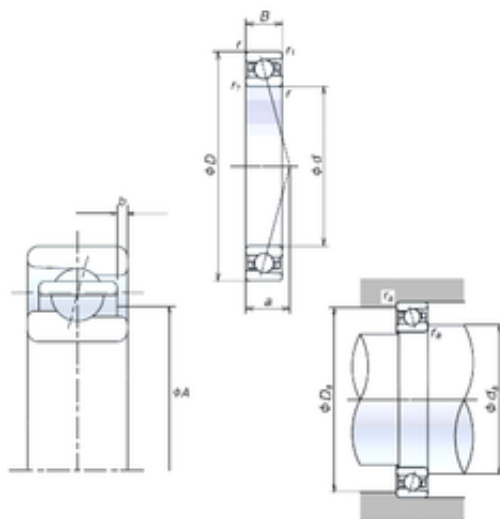




## Rolamento CBF CORP.

70 mm x 100 mm x 16 mm NSK 70BNR19S  
 Rolamentos de esferas de contacto angular para  
 motores e tornos



Bearing No. 70BNR19S

Size	70x100x16 mm
Bore Diameter	70 mm
Outer Diameter	100 mm
Width	16 mm
d	70 mm
D	100 mm
B	16 mm
C	16 mm
Angle ( ° )	18 °
a	21,8 mm
b	0,7 mm
r min.	1 mm
r1 min.	0,6 mm
A	80,5 mm
da min.	76 mm
Da max.	94 mm
ra max.	1 mm
Weight	0,328 Kg
Basic dynamic load rating (C)	21,3 kN
Basic static load rating (C0)	18,1 kN
(Grease) Lubrication Speed	16500 r/min

70BNR19S Bearing 2D drawings and 3D CAD models