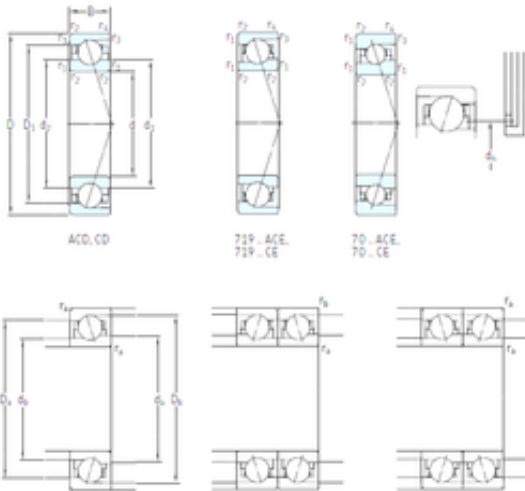




## Rolamento CBF CORP.



15 mm x 28 mm x 7 mm SKF 71902 CE/P4A  
Rolamentos de esferas de contacto angular para motores e tornos

Bearing No. 71902 CE/P4A

71902 CE/P4A Bearing 2D drawings and 3D CAD models

Size	15x28x7 mm
Bore Diameter	15 mm
Outer Diameter	28 mm
Width	7 mm
d	15 mm
D	28 mm
B	7 mm
C	7 mm
d1	19,1 mm
d2	18,1 mm
r1 min.	0,3 mm
r2 min.	0,3 mm
r3 min.	0,15 mm
r4 min.	0,15 mm
D1	23,9 mm
D2	– mm
da min.	17 mm
Da max.	26 mm
db min	17 mm
ra max.	0,3 mm
rb max.	0,15 mm
dh	20 mm
Db max	27,2 mm
Weight	0,015 Kg
Basic dynamic load rating	3,19 kN



## Rolamento CBF CORP.

(C)	
Basic static load rating (C <sub>0</sub> )	1,4 kN
(Grease) Lubrication Speed	75 000 r/min
(Oil) Lubrication Speed	115 000 r/min
Fatigue load limit (P <sub>u</sub> )	0,06
d <sub>1</sub>	19.1 mm
d <sub>2</sub>	18.1 mm
D <sub>1</sub>	23.9 mm
r <sub>1,2</sub> min.	0.3 mm
r <sub>3,4</sub> min.	0.15 mm
a	6.7 mm
d <sub>a</sub> min.	17 mm
d <sub>b</sub> min.	17 mm
D <sub>a</sub> max.	26 mm
D <sub>b</sub> max.	27.2 mm
r <sub>a</sub> max.	0.3 mm
r <sub>b</sub> max.	0.15 mm
d <sub>n</sub>	20 mm
Basic dynamic load rating C	3.19 kN
Basic static load rating C <sub>0</sub>	1.4 kN
Fatigue load limit P <sub>u</sub>	0.06 kN
Attainable speed for grease lubrication	75000 r/min
Attainable speed for oil-air lubrication	115000 r/min
Ball diameter D <sub>w</sub>	3.969 mm
Number of balls z	12
Reference grease quantity G <sub>ref</sub>	0.2 cm <sup>3</sup>
Preload class A G <sub>A</sub>	17 N
Static axial stiffness, preload class A	13 N/ μ m
Preload class B G <sub>B</sub>	51 N



## Rolamento CBF CORP.

Static axial stiffness, preload class B	21 N/ $\mu$ m
Preload class C $G_C$	102 N
Static axial stiffness, preload class C	29 N/ $\mu$ m
Calculation factor f	1.04
Calculation factor $f_1$	1
Calculation factor $f_{2A}$	1
Calculation factor $f_{2B}$	1.04
Calculation factor $f_{2C}$	1.08
Calculation factor $f_{HC}$	1
Calculation factor $f_0$	7.7
Mass bearing	0.015 kg