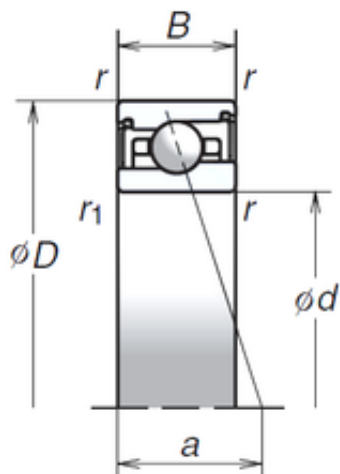




Rolamento CBF CORP.



100 mm x 140 mm x 24 mm NSK
 100BNR29XV1V Rolamentos de esferas de
 impulso angular de duas direc ç õ es

Bearing No. 100BNR29XV1V

Size	100x140x24 mm
Bore Diameter	100 mm
Outer Diameter	140 mm
Width	24 mm
d	100 mm
D	140 mm
B	24 mm
C	24 mm
Angle (°)	18 °
a	31,5 mm
r min.	1,1 mm
r1 min.	0,6 mm
Weight	0,673 Kg
Basic dynamic load rating (C)	38 kN
Basic static load rating (C0)	35 kN
(Grease) Lubrication Speed	17 500 r/min

100BNR29XV1V Bearing 2D drawings and 3D CAD
 models